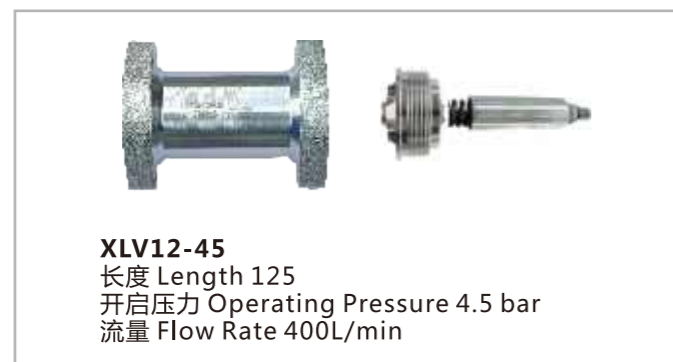
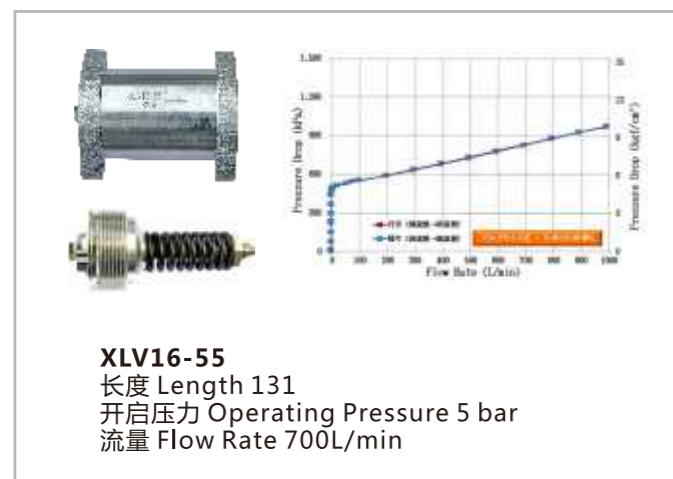
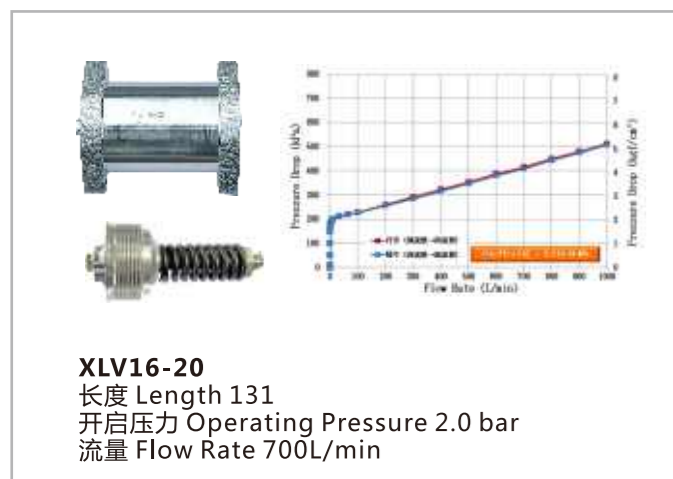
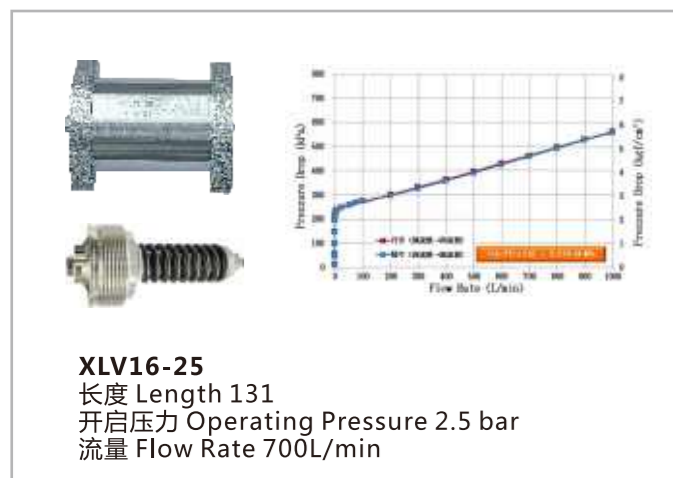


单向阀 (可以按客户需要的开启压力定制设计生产)

Pressure Control Valves (Can produce based on customers pressure requirements)



宁波安拓实业有限公司
NINGBO ANCHOR FASTENERS INDUSTRIAL CO.,LTD.



宁波安拓实业有限公司
NINGBO ANCHOR FASTENERS INDUSTRIAL CO.,LTD.

电话 Tel: +86-574-56319999
传真 Fax: +86-574-56313277
网站 Website: <http://www.china-anchor.com>
邮箱 Email: anchor@china-anchor.com
地址 Add: 浙江省宁波市余姚市丈亭镇工业开发区3号
No.3 Industrial Development Zone, Zhangting, Yuyao City, Zhejiang Province, China

» 单向阀
Pressure Control Valves



公司简介 Company Profile

宁波安拓实业有限公司是成立于1995年，注册资本从400万美金增加到2530万美金，公司专业生产高档建筑五金件、汽车零部件、五金工具、高压油管接头、工程机械部件等一系列五金制品。其生产的高档建筑五金件、手工套筒扳手及高铁预应力产品产量、销售、品质位于全国同行业前列并起草制定了国家标准，目前正申请产品单项冠军。拥有先进的国外及台湾进口的多工位成型机、CNC自动车床及精密的二次加工自动化设备，各种高精度检验检测设备百余台，规划到2028年全面自动化、智能化的生产。公司生产设备完善，产品从原材料拉丝、冷墩成型、二次加工、电镀、包装等一体化生产作业流程，品质可掌控，可快速供货，满足客户之要求。

安拓公司已先后取得了ISO9001:2015、IATF16949:2016质量管理体系认证、美国ICC、船舶、CE、ETA等认证。宁波安拓实业有限公司于2009年被评为高新技术企业，并于2012年通过复审。并且荣获了浙江省名牌产品、浙江省著名商标、浙江省知名商号、浙江省出口名牌、浙江省企业技术中心、余姚市市长质量奖、余姚市专利示范企业等多项荣誉称号。获得授权发明专利19项，实用新型专利5项，申请中发明专利5项。

公司秉承“品质安定，技术创新，客户满意”的质量方针，坚持“客户第一”的原则，最大限度地满足客户需求为己任，赢得了广大客户的称赞，公司目前正规化股票上市，努力为集团打造一条职业化管理体系的路径，以期与客户取得“双赢”，利润共享。

Ningbo Anchor Fasteners Industrial Co., Ltd., established in 1995, is a Taiwanese proprietor enterprise, located in Yuyao, Ningbo City. The start-up registered investment capital was 4 million USD and has now reached 25.3 million USD. As the mother company of Ningbo Anchor, Ningbo Anchor and its subsidiaries specialize in professionally manufacturing construction hardware, automotive parts, hand tool sets, hydraulic fittings and engineering mechanical parts. We are a member of China National Standard Committee and the producer for quality construction hardware, socket sets, and pre-stressed anchor wedge. We foresee ourselves to become fully automated for intellectual production in 2028. By streamlining and integrating the inhouse processes from wire drawing, cold forming, secondary post machining, plating, and to packaging, we are able to have good control on quality assurance and lead time in order to fulfill our customers' request.

To leverage ourselves and bring our quality management system to another level, we have been certified by ISO9001:2015 and IATF16949:2016, while acquiring ICC for the US market, CE, and ETA for European markets. Ningbo Anchor was rated "Leading Highend Technical Manufacturer" in 2009 and was awarded again in 2017 in China. We are currently hold 29+ patents.

"Quality Assurance, Technology Innovation, Customer Satisfaction" is always our goal when providing our product and service to our valued customers. We are planning to go public within years in order to grow and create a win-win situation with our customers.

**安拓愿景：1、拓展“安拓”品牌，成为五金行业最受人尊敬的企业；
2、转型升级，由“制造安拓”升级为“品牌安拓”。**

检测设备 Inspection Equipment



流量脉冲测试台
Flow Rate Test Bench

1.测试流量与压力损失（曲线）
2.定流量脉冲耐久试验（100万次）



单向阀打开压力测试台
Operating Pressure Test Bench

对单向阀 开启压力全检



单向阀体保压测试台
Pressure Maintaining Test Bench

100Bar保压全检



无尘装配车间
Dust Free Assemble Workshop

油路块 Sub Plates

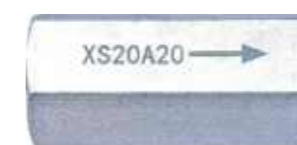


单向阀 (可以按客户需要的开启压力定制设计生产)

Pressure Control Valves (Can produce based on customers pressure requirements)



长度 Length 120
开启压力 Operating Pressure 2 bar
流量 Flow Rate 200L/min



长度 Length 98
开启压力 Operating Pressure 2 bar
流量 Flow Rate 250L/min



长度 Length 98
开启压力 Operating Pressure 3 bar
流量 Flow Rate 250L/min



长度 Length 82
开启压力 Operating Pressure 4 bar
流量 Flow Rate 150L/min



长度 Length 98
开启压力 Operating Pressure 3 bar
流量 Flow Rate 250L/min



长度 Length 82
开启压力 Operating Pressure 5 bar
流量 Flow Rate 150L/min



长度 Length 71
开启压力 Operating Pressure 2 bar
流量 Flow Rate 90L/min



长度 Length 68
开启压力 Operating Pressure 1.5 bar
流量 Flow Rate 80L/min